

High-frequency limit level sensor with elimination of buildups and foam on the electrode



- Designed for reliable limit sensing of the level height of wide-ranging fluids, mashed and paste-like materials
- Resistant to adhesion of viscous and sticky media
- Replacement of a vibrating level sensor
- Unique material type recognition function „Medium window“ (the sensor only senses the set medium and does not react to substances with a lower and higher permittivity)
- Direct mounting into tanks, vessels, sumps, pipes or funnels and containers
- Settings using the magnetic pen
- High stability at high sensitivity (possible to use for substances with  $\epsilon_r \geq 1.5$ )



The high-frequency level sensor RFLS-35 is designed for industrial use for limit sensing of the level of liquid and paste-like media. The high-frequency level sensor may be a direct replacement of a vibrating level sensor, or of a capacity level sensor in case of more demanding applications. The media may be electrically conductive or non-conductive with any permittivity. It can be installed in metal or plastic tanks, pipes, filling tanks, sumps, etc.

It is mainly designed for mounting into the wall of a tank or pipe, in which the actual detection of the level will take place. The sensor works in the high frequency band, enabling reliable detection of the level of media, and eliminating deposits or foam on the electrode. The sensor suppresses the influence of deposits of viscous media (ketchup, yoghurt, pastes, syrups, jams and jellies, creams, soap) as well as electrically conductive adhesive products (detergents, alkalis, chemicals).

Likewise, it is possible to utilize it to differentiate a specific media from others - the "Medium window" function. E.g. it can differentiate oil from water and air, detect only beer foam and ignore beer and air, etc.

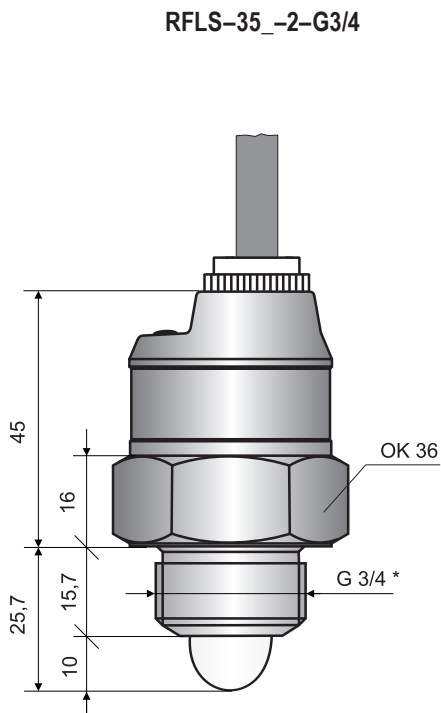
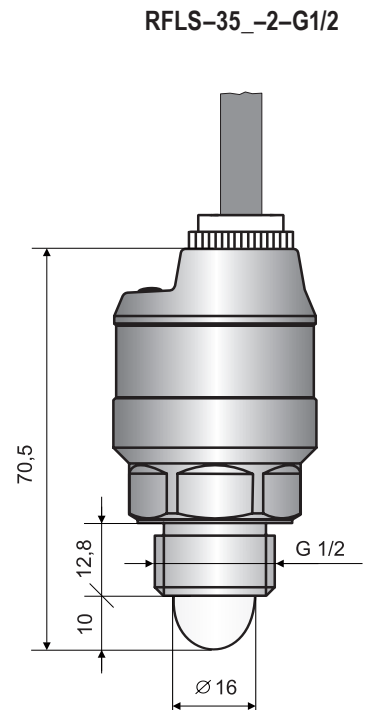
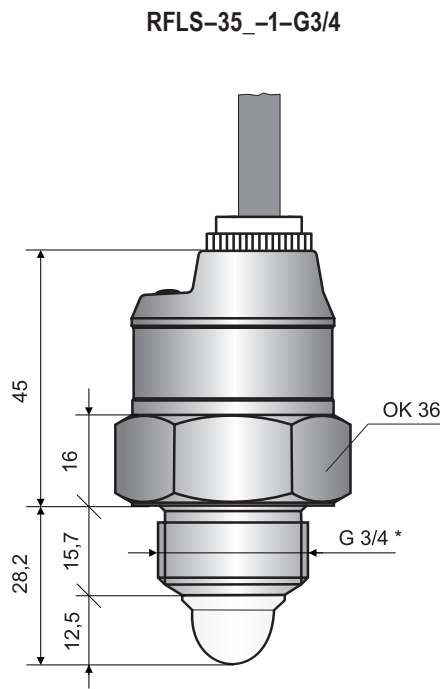
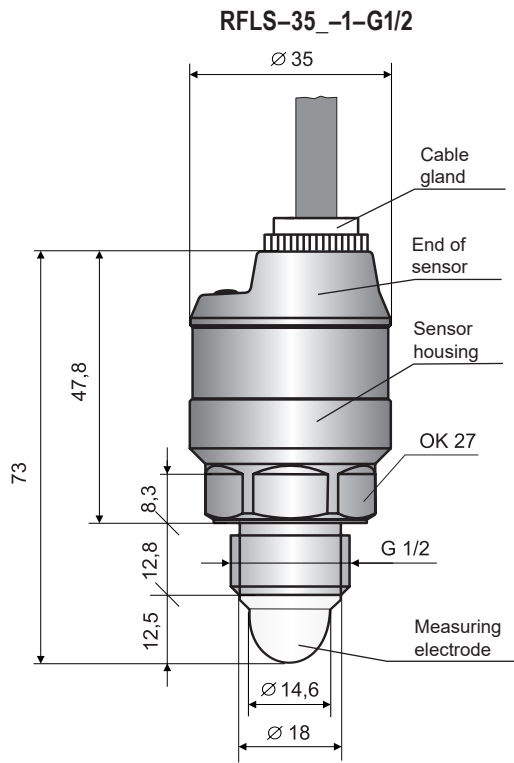
The sensor is made from a stainless steel housing at one end terminated by a sensing electrode, and terminated at the other end by an ending with a status indicator, control elements and electrical connection.

There are next performances available: **N** – For normal atmospheres, **Xi** – Explosion proof – intrinsically safe for hazardous (explosive) areas. and **XiM** – Explosion proof – intrinsically safe for use in mines with methane or flammable dust presence danger (see technical specifications).

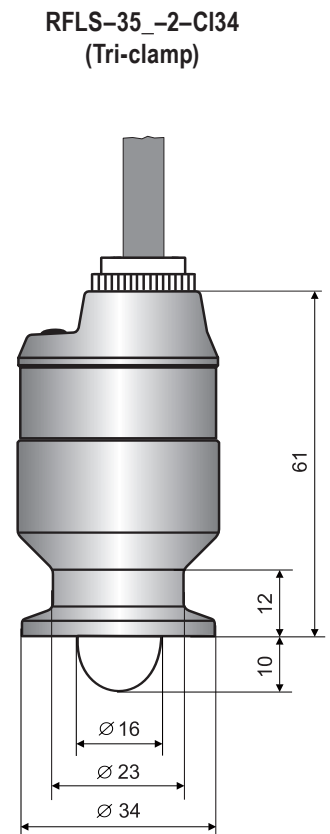
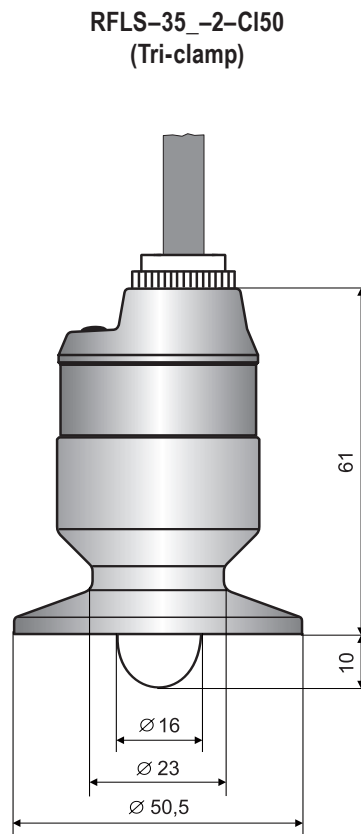
## VARIANTS OF SENSORS

- **RFLS-35\_-1B** Insulated electrode (PEEK) with sealing O-ring NBR, for sensing various liquid, mashed and paste-like materials, appropriate also for fuel, oil or methanol, use from minimum temperature of -40 °C.
- **RFLS-35\_-1E** Insulated electrode (PEEK) with sealing O-ring EPDM, for sensing various liquid, mashed and paste-like materials, appropriate also for acids, bases or alcohol, ammonia, acetone, chlorine, from minimum temperature of -40 °C.
- **RFLS-35\_-1V** Insulated electrode (PEEK) with sealing O-ring Viton, for sensing various liquid, mashed and paste-like materials, appropriate also for fuel, oil, acids, bases or asphalt, tar, toluene, use from minimum temperature of -20 °C.
- **RFLS-35\_-2** Insulated electrode (PTFE) without O-ring, for sensing various liquid, mashed and paste-like materials, especially suitable for aggressive liquids, use from minimum temperature of -40 °C.

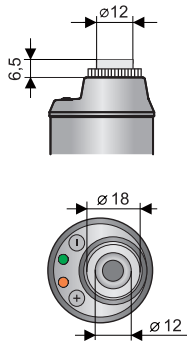
# DIMENSIONAL DRAWINGS



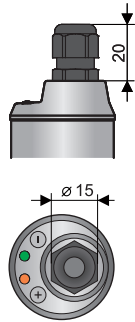
\*Type of threads: G3/4; M27x2



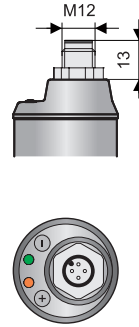
**Variant "A" with short stainless steel gland**



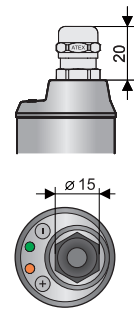
**Variant "B" with plastic threaded cable gland**



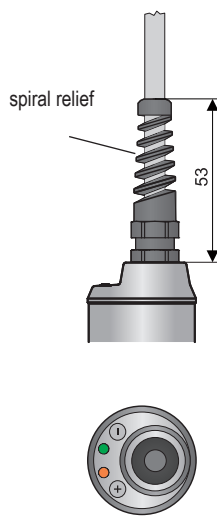
**Variant "C" with connector M12**



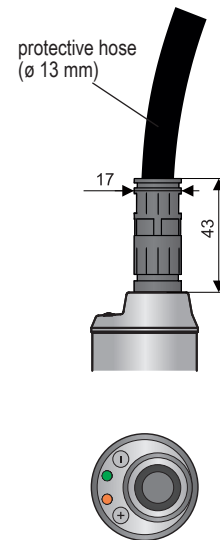
**Variant "D" with dustproof cable outlet**



**Variant "V" with plastic cable gland with spiral relief**  
– in case of increased mechanical wear on the cable.



**Variant "H" with cable gland for protected hoses** – for using in an outdoor area or in area with increased moisture.



## TECHNICAL SPECIFICATIONS

### BASIC TECHNICAL DATA

Supply voltage (variant RFLS-35N)	7 ... 34V DC	
Power consumption (variant RFLS-35N)	max. 5 mA DC	
Max. switching current (PNP output)	300mA	
Residual voltage – ON state	max. 1,5 V	
Coupling capacity (housing - power) / dielectric strength	5 nF / 500 V AC (50 Hz)	
Ambient temperature range:	-40 ... +80 °C	
Protection class	type RFLS-35_ _ _ -C- _ _	IP 67
	type RFLS-35_ _ _ -A(B,V,H,D)- _ _	IP 68
Cable (versions with cable outlets)	Variant (P,N)	PVC 3 x 0,5 mm <sup>2</sup>
	Variant (Xi, XiM)	PVC 2 x 0,75 mm <sup>2</sup>
Weight (without cable)	cca 0,15kg	

### ELECTRICAL PARAMETERS – variant Xi and XiM

Power supply voltage	8 ... 9 V DC
Current consumption (disconnected/ connected) – NAMUR	≤ 1 mA / ≥ 2,2 mA
Max. internal values	Ui = 12V DC; li = 15mA; Pi = 45mW; Ci = 15nF; Li = 10µH
Cables LC values	typic C < 150 pF/m typic L < 0,8 µH/m

## USED MATERIALS

part of the sensor		standard material *
Housing		stainless steel W.Nr. 1.4404 (AISI 316L)
End of sensor		stainless steel W.Nr. 1.4301 (AISI 304)
Electrode coating	type el. 1 type el. 2	PEEK PTFE
Sealing O-ring	RFLS-35_-1B RFLS-35_-1E RFLS-35_-1V RFLS-35_-2	NBR EPDM (FPM) Viton –
Cable gland (variant "A")		stainless steel W.Nr. 1.4571 / NBR
Cable gland (variant "B", "V", "H")		plastic PA / NBR
Cable gland (variant „D")		nickel-plated brass / PA
Connector M12 (variant "C")		nickel-plated brass / PA

\* Verify chemical compatibility with the media. Upon agreement it is possible to select a different type of material.

## PROCESS CONNECTION

type	size	marking
Pipe thread	G 1/2"	G1/2
Pipe thread	G 3/4"	G3/4
Metric thread	M27x2	M27
Jointless connection (Tri-Clamp) *	ø 34 mm ø 50,5 mm	Cl34 Cl50

\* only for type electrode 2

## TYPE OF OUTPUT

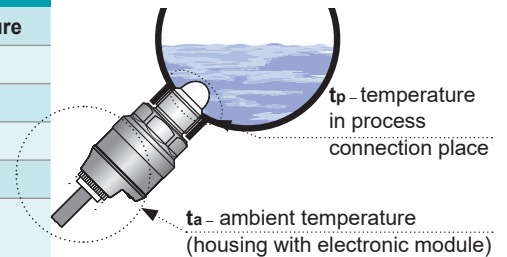
Output	Variants
PNP (PC; PO)	N
NAMUR (RC; RO)	Xi (XiM)

## WORKING AREAS AND AREA CLASSIFICATION (EN 60079-0, EN 60079-10-1)

Level meter performance	Type of electrode	Device classification
RFLS-35N	All types	Basic performance for non-explosive atmospheres.
RFLS-35Xi	1B, 1E, 1V	Intrinsically safe explosion-proof performance for use in hazardous areas (explosive gas atmospheres or explosive atmospheres with dust) Ⓜ II 1G Ex ia IIB T5 Ga; with intrinsically safe supply units, whole sensor zone 0.
RFLS-35XiM	1B, 1E, 1V	Intrinsically safe explosion-proof performance for use in mines with the occurrence of methane or coal dust Ⓜ IM1 Ex ia I Ma with intrinsically safe supply units.

## TEMPERATURE AND PRESSURE DURABILITY – variant N, Xi and XiM

design variant	temperature tp	temperature ta	maximum overpressure
RFLS-35N-1B (1E)	-40°C ... +105°C	-40°C ... +80°C	10 MPa
RFLS-35Xi(XiM)-1B (1E)	-40°C ... +100°C	-40°C ... +80°C	10 MPa
RFLS-35N-1V	-20°C ... +105°C	-40°C ... +80°C	10 MPa
RFLS-35Xi(XiM)-1V	-20°C ... +100°C	-40°C ... +80°C	10 MPa
RFLS-35N-2	-40°C ... +105°C	-40°C ... +80°C	5 MPa to 50°C 2,5 MPa over 50°C



## INSTALLATION INSTRUCTIONS

RFLS level sensors can be mounted in horizontal or inclined position into the shell of a container, storage tank or pipe by screwing into the welding flange, or by affixing using a nut. Basic application recommendations are mentioned below.

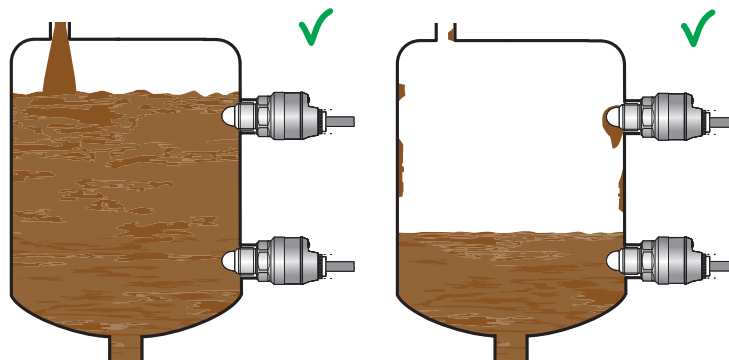


*During assembly into the metal tank or the storage tank, it is not necessary to separately ground the base of the level sensor*



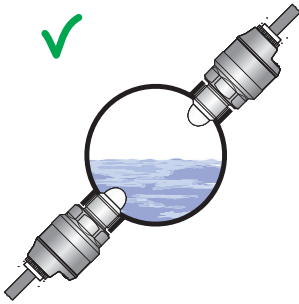
**In the case of the use for an aggressive medium is necessary to prove the chemical compatibility of used materials of the sensor (Tab. Used materials). This guarantee ceases when the product is chemically damaged.**

Thanks to its design, the sensor is appropriate for detection of the level of **viscous and simultaneously electrically conductive media** (yoghurt, jams and jellies, mayonnaise, spreads, liquid soap, creams or pastes). After setting the sensitivity of the given media, it reliably reacts to the presence or absence of a medium level. On the contrary, the sensor does not react to remnants and coatings of viscous media on the measuring electrode.

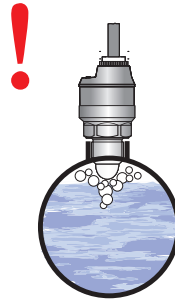


Side installation of sensors into a tank with viscous medium

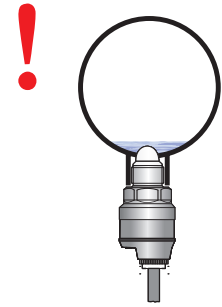
It is recommended to install sensors in a horizontal pipe **inclined from the side**.



Upon vertical installation of the sensor in a pipe, pay attention to potential formation of air pockets,

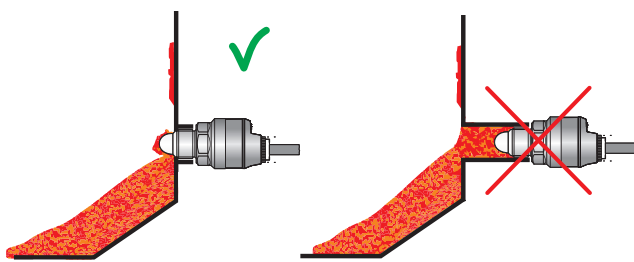


or adhering remnants of liquid at the bottom of the pipe.

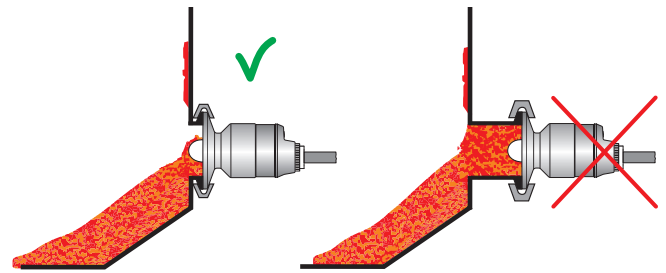


Installation of the sensor in a pipe

In the case of **side wall mounting**, it is necessary to avoid long fitting tubes, where sensed medium could remain. We recommend mounting the sensor so that the whole measuring electrode is inside the tank.



Correct and incorrect installation with a long tube

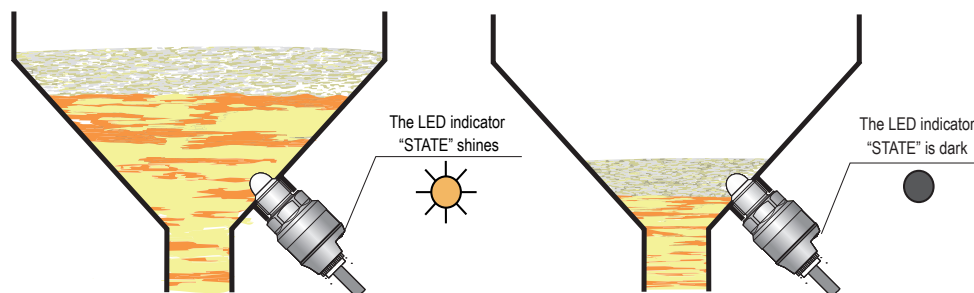


Correct and incorrect installation with a long tube for process connection with Tri-Clamp



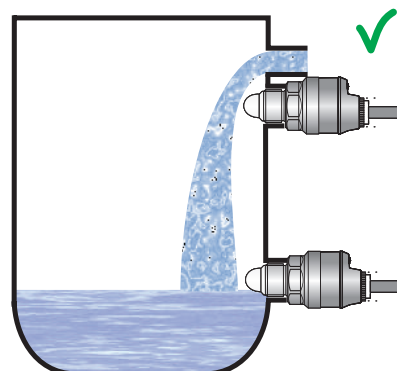
Small Tri-clamp (ø 34 mm), only for liquids with low viscosity.

Installation of the sensor for reliable checking of the level of a liquid with foam on the surface. Sensitivity of the sensor can be set to detect the liquid interface with foam. After a drop in the liquid level, the sensor does not react to coatings of foam on the electrode.



Monitoring the level of foam media

The sensor can be mounted in a tank or at medium inlets. After setting to the level of the given media the sensor does not react to the current of flowing medium.



Option of mounting the sensor in the medium inlet

## ELECTRICAL CONNECTION

A sensor with PNP output can be loaded only by resistive or inductive load. The positive pole of the supply voltage (+U) is connected to the brown wire BN or pin connector no.1, the negative pole (0V) is connected to the blue wire BU or pin connector no. 3 and load on the black wire BK or pin connector no. 4. The capacitive loads and low resistance loads (bulb) are evaluated by the sensor as a short circuit.

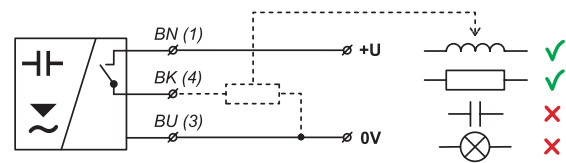
Connection diagrams are listed in Figures right.

Sensors RFLS-35 with type of cable outlet A, B, V, D or H are connected to assessing units permanently connected by PVC cable.

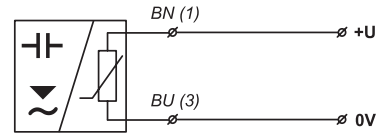
Sensors RFLS-35 with connection method type C are connected to control units by means of a connector socket with compression cable (length 2 or 5 m), or by means of dismantable connector socket without cable (see accessories), connector socket is not part of the sensor. In this case the cable is connected to the inside pins of the socket according to Figure right. The recommended diameter of this cable is 4 to 6 mm (the recommended cross-sectional area is 0.5 to 0.75 mm<sup>2</sup>).

The connection of the sensor to the connecting device is performed using a suitable three wire (variant N) or two wire (variant Xi and XiM) cable. The length of the cable for the Xi and XiM variations must be selected with respect to the maximum permitted parameters (usually inductance and capacity) of the outside intrinsically safe circuit of supply units (NSSU, NDSU, NLCU).

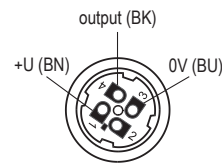
In the event that dismantable connector sockets are used, the outer diameter of the cable is max. 6 mm.



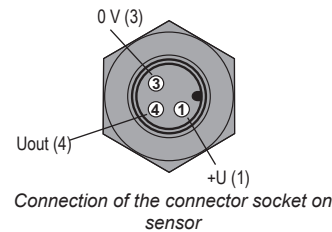
PNP output type sensor connection



NAMUR type sensors connection (variants Xi and XiM)



Inside of the connector socket (type ELWIKA or ELKA)



### Legend:

(1,...) – numbers of terminals inside the connector socket  
BK – black  
BN – brown  
BU – blue



**Electrical connection can only be made when de-energized!**

The source of the power voltage must comprise of a stabilised safe low power source with galvanic separation. In the event that a switch-mode power supply is used, it is essential that its construction effectively suppresses common mode interference on the secondary side. In the event that the switch-mode power supply is equipped with a PE safety terminal, it must be unconditionally grounded! Spark-safe devices type (RFLS-35Xi and RFLS-35XiM) must be powered from a spark-safe power source meeting the above-mentioned requirements.



In the event that the level meter (sensor) is installed in an outdoor environment at a distance greater than 20 m from the outdoor switchboard, or from an enclosed building, it is necessary to supplement the electrical cable leading to the level meter (sensor) with suitable overvoltage protection.

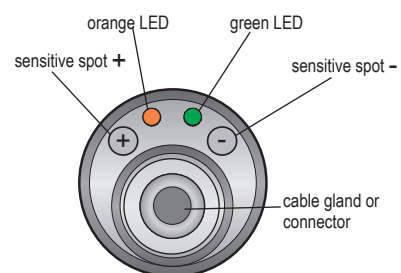
With regard to possible occurrence of electrostatic charge on non-conductive parts of the sensor for explosive areas (RFLS-35Xi and RFLS-35XiM, sensors must be grounded. It will be done using conductive tank, conductive lid of tank, or by the auxiliary plate electrode PDE-27.

In the event of strong ambient electromagnetic interference, paralleling of conductors with power distribution, or for distribution to distances over 30 m, we recommend grounding the level meter (see above) and using a shielded cable.

## CONTROL ELEMENTS

Settings are performed by placing the magnetic pen on the sensitive spot marked “+” or “-” located at the end of the sensor in two modes:

1. Quick settings - the user does not know precisely to what medium the sensor should be set, he only wants to put the sensor into operation (usually upon receiving it) and check to see if the sensor is generally functional
2. Basic settings - the user has the medium available and can perform on the sensor its flooding and drainage
3. Medium window settings - the user has the medium available and can perform on the sensor its flooding and drainage



Top view of sensor control elements

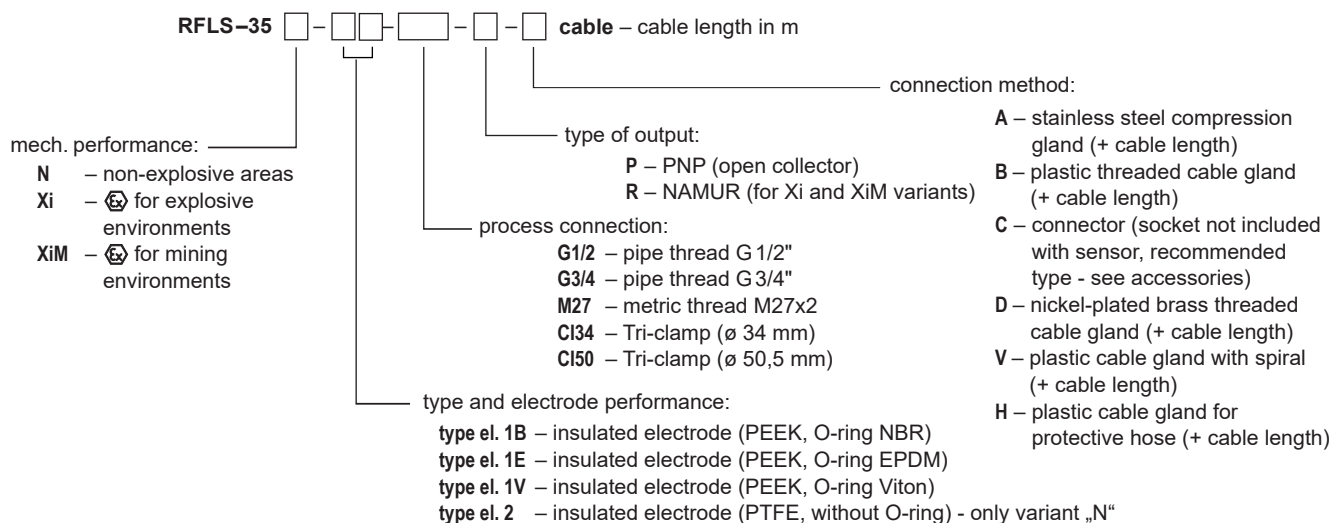
## FUNCTION AND STATUS INDICATION

LED indicator	colour	function
"RUN"	green	<b>Measuring function indication</b> <b>flashing</b> – (approx. 0.4 s) – correct function of level detection <b>dark</b> – incorrect installation or malfunction. <b>alternating flashing of the green and orange LED</b> – error in settings <b>simultaneous shine of green and orange LED</b> – when applying the mag. pen, when the setting is confirmed
"STATE"	orange	<b>Settings indication</b> <b>permanent shine</b> – the sensor is closed <b>dark</b> – the sensor is open <b>3 short flashes</b> – settings confirmed <b>alternating flashing of the green and orange LED</b> – error in settings <b>simultaneous shine of green and orange LED</b> – when applying the mag. pen, when the setting is confirmed

	level state	mode	output state	state indicator
minimum level sensing		O	CLOSED	(illuminated)
		O	OPEN	(not illuminated)
maximum level sensing		C	CLOSED	(illuminated)
		C	OPEN	(not illuminated)

For safety reasons, we recommend using the setting of the mode "O" for min. level sensing (the sensor is closed upon immersion). It is for failure safety reasons – eventual failure of sensor behaves similarly as an exceeding of the limit state. Analogically, for the max. level it is recommended to set the mode "C" (the sensor is open upon immersion).

## ORDER CODE



## CORRECT SPECIFICATION EXAMPLES

RFLS-35N-2-CI50-P-B cable 5 m

(N) designed for normal areas; (2) insulated electrode PTFE; (CI50) process connection Tri-clamp (ø 50,5 mm); (P) output type PNP; (B) plastic cable gland.

RFLS-35Xi-1E-G1/2-R-C

(Xi) Explosion-proof performance; (1E) insulated electrode with O-ring EPDM; (G1/2) process connection place by thread G1/2"; (P) Output type NAMUR; (C) connector.

## ACCESSORIES

---

**standard** - included in the sensor price

- 1 pcs. magnetic pen MP-8
- 1 pcs. seal (asbestos free)

**optional – for a surcharge** (see catalogue sheet of accessories)

- cable (over the standard length 2m)
- connector socket (type ELWIKa or ELKA)
- standard steel welding flange or stainless steel welding flange
- protective hose (for type of cable outlet H)
- stainless steel fixing nut
- various types of seals (PTFE, Al, etc.)

## SAFETY, PROTECTIONS, COMPATIBILITY AND EXPLOSION PROOF

---

The level sensor is equipped with protection against electric shock on the electrode, reverse polarity, output current overload, short circuit and against current overload on output.

Protection against dangerous contact is provided by low safety voltage according to 33 2000-4-41. Electromagnetic compatibility is provided by conformity with standards EN 55022/B, EN 61326-1, EN 61000-4-2 to -6.

Explosion proof RFLS-35Xi (XiM) is provided by conformity with standards EN 60079-0, EN 60079-11, EN 60079-26. Explosion proof RFLS-27Xi (XiM) is verified FTZÚ – AO 210 Ostrava – Radvanice: FTZÚ 16 ATEX 0139X.

A declaration of conformity was issued for this device in the wording of Act No. 90/2016 Coll., as amended. Supplied electrical equipment matches the requirements of valid European directives for safety and electromagnetic compatibility.

### **Special conditions for safe use of variants RFLS-35Xi and RFLS-35XiM**

Sensors RFLS-35Xi and RFLS-35XiM are intended for connection to approved intrinsically safe supply units (insulating transducers) with galvanic separation. In the event that devices without galvanic separation (Zener barriers) are used, it is necessary to balance the potential between the sensor, resp. water level meter and the grounding barrier location.

The limit output parameters of intrinsically safe supply units (insulating transducers) must correspond to the limit input parameters of the sensor, resp. level meter. When assessing intrinsically safety of circuits, it is necessary to also take into consideration the parameters of the connected cable (namely its induction and capacity).

Design RFLS-35Xi can be used in zone 0.

Design RFLS-35XiM it is necessary to observe that temperature of any surface of apparatus, when coal dust can from a layer, do not exceed 100°C.